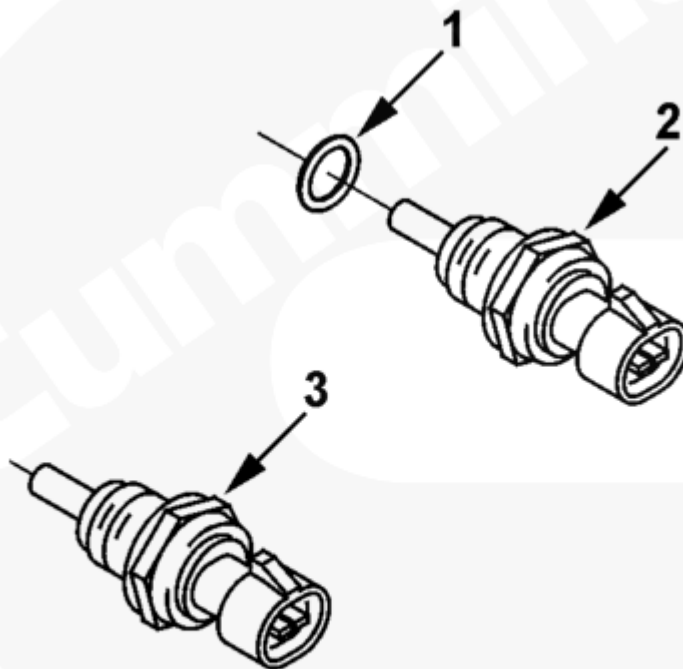




Parts Catalog - Option Detail

Electronic Parts Catalog - Option Detail				
Option	Group	Graphic	Film Card	Date
PH9153-03	15.01	ph959gj	Z	04-JUN-07
Engines	6C8.3, C GAS PLUS CM556, G8.3, G8.3 CM558, GTA8.3 CM558, ISC CM2150, ISC CM554, ISC CM850, ISC8.3 CM2250, ISC8.3 G CM2180 C101, ISL CM2150, ISL CM554, ISL CM850, ISL G CM2180, ISL8.9 CM2150 L110, ISL8.9 CM2880 L112, ISL9 CM2150 SN, ISL9 CM2250, ISL9 CM2350 L101, ISL9 CM2350 L111, ISLE4 CM850, L GAS PLUS CM556, L8.9, L8.9 L121, L8.9G CMOH2.0 L125B, L9 CM2350 L116B, L9 CM2350 L119B, L9 CM2350 L120C, L9 CM2350 L123B, L9.3 L105, L9.5 L117, L9N CM2380 L124B, QSC8.3 CM2250, QSC8.3 CM2880 C102, QSC8.3 CM554, QSC8.3 CM850(CM2850), QSL9 CM2250, QSL9 CM2250 L115, QSL9 CM2350 L102, QSL9 CM2350 L107, QSL9 CM2350 L118, QSL9 CM2350 L122, QSL9 CM554, QSL9 CM850(CM2850), QSL9 G CM558, QSL9 M CM2250 L106, QSL9.3 CM2880 L113			

©Cummins Inc



ph959gj ®

[SMALL](#) | [MEDIUM](#) | [LARGE](#)

Cart	Ref No	Part Number	Part Description	Required	Remarks
<input type="button" value="View My Cart"/>					
		PH9153-03	Engine Control Module		MR - MODULE, ENGINE CONTROL...(More)

					Engine Control System: P11
					ECM Version: CM850
					Module Location (mm): 6.8
					Ambient Air Pressure Sensor
					Included: No
					Intake Manifold Temp Sensor
					Manufacturer: High Stat
<input type="checkbox"/>		4088832	Temperature Sensor	1	Coolant or Intake Manifold
	1	4088833	Temperature Sensor	1	Coolant or Intake Manifold
	2	4921574	O-Ring Seal	1	
<input type="checkbox"/>	3	4954905	Temperature Sensor	1	Coolant Or Fuel Or Oil.